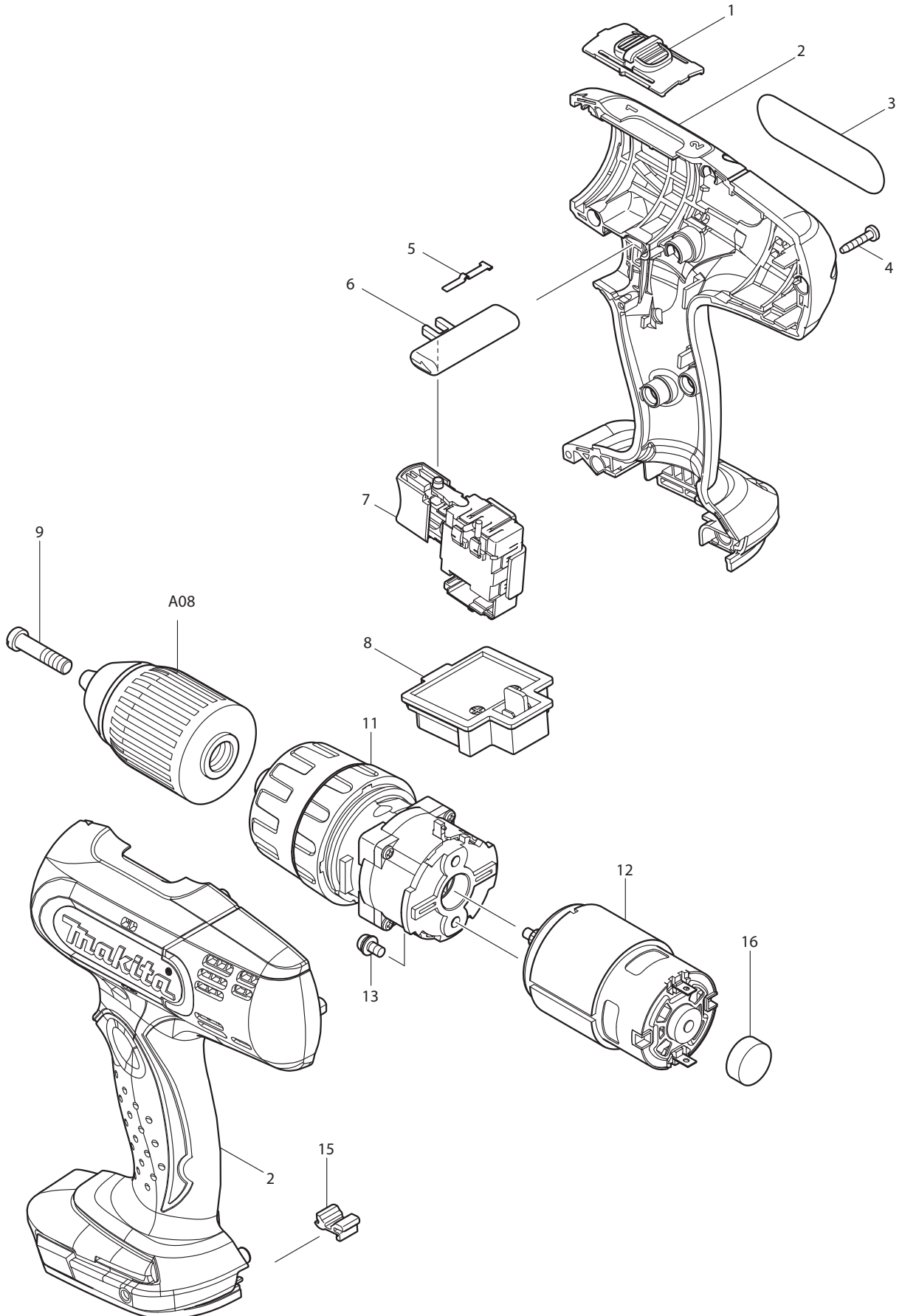




07 - 2008
BHP453, BHP453H, BHP453Z
18V 1/2" HAMMER DRIVER DRILL



Item No	Type	Ref	Part No	Description	Qty	Unit
1			125310-5	SPEED CHANGE LEVER ASS'Y	1	PC.
		INC.	231433-0	COMPRESSION SPRING 4	2	PC.
2	1		188615-4	* HOUSING SET (TYPE 1-2)	1	SET
		INC.	263005-3	RUBBER PIN 6	2	PC.
	3		187363-2	* HOUSING SET (TYPE 3)	1	SET
		INC.	263005-3	RUBBER PIN 6	2	PC.
3			865459-6	BHP453 NAME PLATE	1	PC.
4			266130-9	TAPPING SCREW BIND PT 3X16	9	PC.
5			232182-2	LEAF SPRING	1	PC.
6			419250-0	F/R CHANGE LEVER	1	PC.
7	1		650604-4	* SWITCH TG563FSB-4 (TYPE 1-2)	1	PC.
	3		632A24-0	* SWITCH UNIT (TYPE 3)	1	PC.
8	1		643812-4	* TERMINAL, BLACK	1	PC.
	2		643844-1	* TERMINAL, YELLOW	1	PC.
	3		643852-2	* TERMINAL	1	PC.
9	1		251472-4	- FLAT HEAD SCREW M6X26	1	PC.
	2		251468-5	* - FLAT HEAD SCREW M6X22	1	PC.
11			125485-0	GEAR ASS'Y	1	PC.
12			629834-8	DC MOTOR	1	PC.
13			911108-4	PAN HEAD SCREW M4X8	2	PC.
15	1		424026-2	CUSHION	1	PC.
	2		424476-1	CUSHION	1	PC.
16			421940-3	CAP	1	PC.
100			251314-2	+ SCREW M4X12 (F/HOOK)	1	PC.
101			652045-0	+ P.H.SCREW M3.5X5 (ENDBELL) (F/SWITCH)	1	PC.

ACCESSORIES

- See Catalogue or visit www.makita.ca for more accessories information -

A01			784636-0	PHILLIPS/SLOTTED BIT	1	PC.
A02			DC18SD	CHARGER DC18SD (BHP453H)	1	PC.
	1		DC18RA	CHARGER DC18RA	1	PC.
	2		DC18RC	CHARGER DC18RC	1	PC.
			DC18SE	12V AUTOMOTIVE CHARGER DC18SE	1	PC.
			DC24SC	CHARGER F/7.2-24V, 1.3-3.3AH	1	PC.
A02			DC18SD	CHARGER DC18SD (BHP453H)	1	PC.
			194428-3	18V LI-ION BATTERY BL1815, 2/PK (BHP453H)	1	PK
A04			450128-8	BATTERY COVER	1	PC.
A05			158777-2	PLASTIC CARRYING CASE	1	PC.
		INC.	163455-1	METAL LATCH	2	PC.
		INC.	419360-3	HANDLE	1	PC.
A07			346449-3	HOOK, COMPACT, F/14.4V. 18V (SE from April 2013)	1	PC.
A08	1		763193-1	* 1/2" KEYLESS DRILL CHUCK	1	PC.
	2		766027-7	* 1/2" KEYLESS DRILL CHUCK	1	PC.

SERVICE CHANGES

1. Changes on Switch, Terminal, and Housing Set (Battery Protection Circuit)

(T/I# 93856)

Item No.	Description	Type 1	Type 2	Type 3
2	HOUSING SET		188615-4	187363-2
7	SWITCH		650604-4	632A24-0
8	TERMINAL	643812-4	643844-1	643852-2

Above parts are completely interchangeable as a set.

Service Note:

- Use new parts for repair of the model manufactured on or after December 2011 with using Yellow lead wire between Switch and Terminal.
- Use current parts for repair of the model manufactured before December 2011 without using Yellow lead wire between Switch and Terminal.

** See Technical Information No. 93856 for Wiring changes.*

2. Changes on Drill chuck

(T/I# A6874)

Item No.	Description	Type 1	Type 2
9	FLAT HEAD SCREW M6X26 >FLAT HEAD SCREW M6X22	251472-4	251468-5
A08	KEYLESS DRILL CHUCK	763193-1	766027-7

Above parts are completely interchangeable as a set.